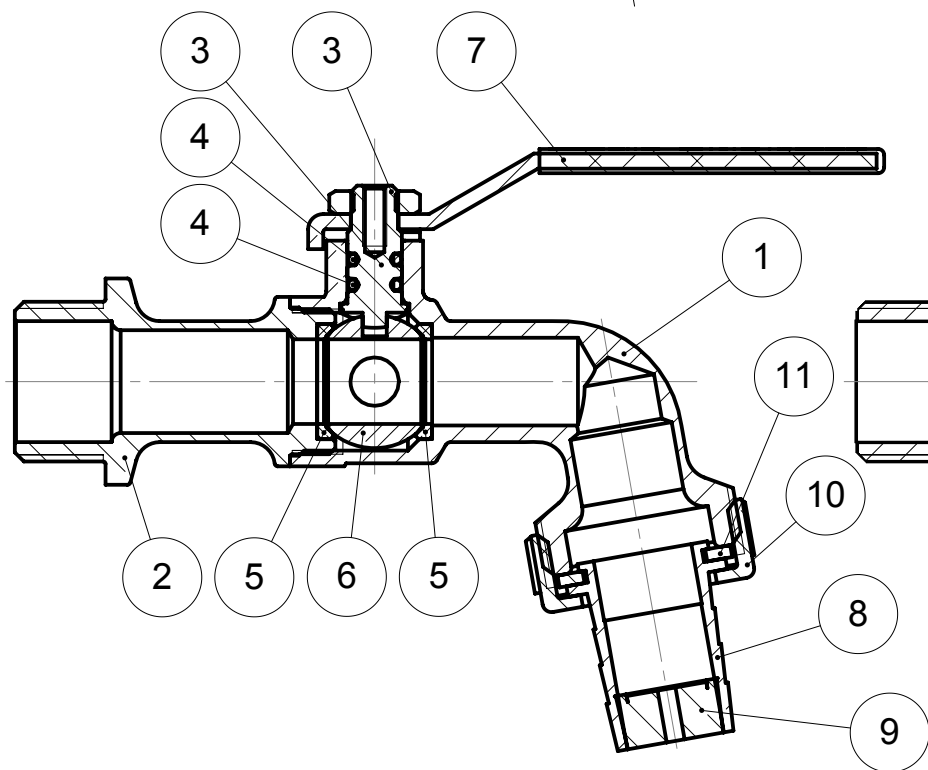


ART.0691N CLOSE POSITION

THE NO FROST FUNCTION IS ACTIVATED

| | |
|---|-----------------------------------|
| ART.0691NO FROST | |
| <i>No-Frost, hose bibcock, heavy type, stainless steel handle, Mis. 1/2"-3/4"</i> | |
| SPECIFICATION | |
| Series | 0691N |
| Thread ends | Male-Hose: ISO 228/1 |
| Orifice | from 10 to 14 mm |
| Actuator | 90° Rotation with mechanical stop |
| Operator | Stainless steel handle |
| APPLICATION | |
| Assembly in rigid pipe system | |
| Nominal pressure (PN) in bar:16 | |
| KV: flowrate coefficient m ³ /h | |
| Direction of flow:as desired | |
| Temperature range: -20 °C / +120°C | |
| Use: Water | |



Front hole for water drain

| N° | Descrizione | Description | Materials | Treatment | Q.ty |
|----|-------------------|----------------|---------------|----------------|------|
| 1 | Corpo | Body | CW617N | Nickel-Plated | 1 |
| 2 | Manicotto | End connection | CW617N | Nickel-Plated | 1 |
| 3 | Perno | Stem | CW614N | | 1 |
| 4 | O-Ring | O-Ring | NBR70sh | | 2 |
| 5 | Guarnizione Sfera | Ball Seal | PTFE | | 2 |
| 6 | Sfera | Ball | T.E.A. | T.E.A. | 1 |
| 7 | Leva | Handle | AISI 430 | Printed | 1 |
| 8 | Portagomma | Antiplash dev. | CW614N | Nickel-Plated | 1 |
| 9 | Rompigetto | Flow strainer | Polipropilene | | 1 |
| 10 | Girello | Nut | CW617N | Niickel-Plated | 1 |
| 11 | Guarnizione | Seal | NBR70sh | | 1 |
| 12 | Dado | Nut | INOX A2 | | 1 |

| | | | | | | | | | |
|---|--|---|--|-----------------------------|--|------------------------------|--|--|--|
| Denominazione particolare / Name ART.691N L/INOX 3/4" NO FROST | | Disegnato / Designed by Renato Borghetti | | Formato / Format A3 | | Grezzo / Forged Code | | Quote senza indicazione di tolleranza: MEDIA UNI-ISO 2768/1 | |
| Materiale / Material CW617N | | Data / Date 17/06/2020 | | Scala / Scale 1:1 | | Lavorato / Finished Code | | Rugosità Generale ∇ 3.2 (0.7) | |
| Tratt. Superficiale / Surface Treat. Nickel-Plated | | Tratt. Termico / Thermal Treat. | | Serie / Project N° 0691N | | Foglio / Tab. 1/1 | | Valido per / Available for Consultazione | |
| N° Disegno / Drawing Nr. 0691N | | Revisione / Revision - | | Peso / Weight - | | Misura / Size g 1/2"-3/4" | | | |

| DN | G | A | B | C | D | E | H | G2 | Ch | PN |
|----|------|-----|------|----|------|----|------|----|----|----|
| 10 | 1/2" | 105 | 36.5 | 85 | 51 | 11 | 62 | 15 | 25 | 16 |
| 14 | 3/4" | 109 | 38.5 | 85 | 59.5 | 12 | 59.5 | 20 | 30 | 16 |

UFFICIO TECNICO